



EMKA

News 2012

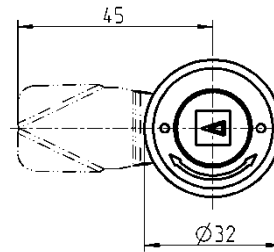
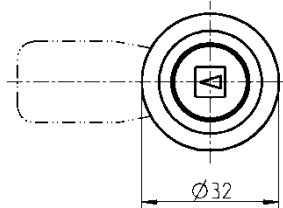
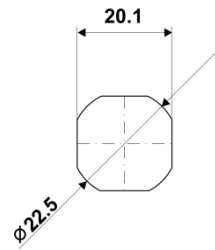
Locking systems

Compression latch

The compression latches meet these standards:

- Shock and vibration-proof according to DIN 61373
- Protection class IP 65

Compression latches

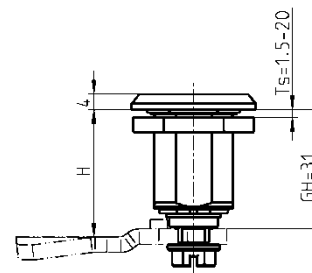
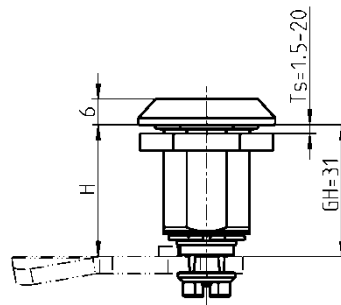


Quarter turn

1000-U798

1000-U834-REPH (turnable to the right and left)

Stroke 6 mm
Height 31 mm
Zinc die, AISI 316

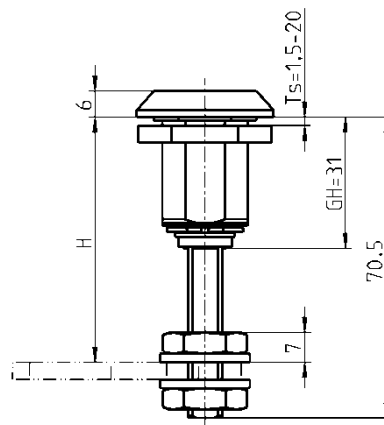


Quarter turn

1000-U786

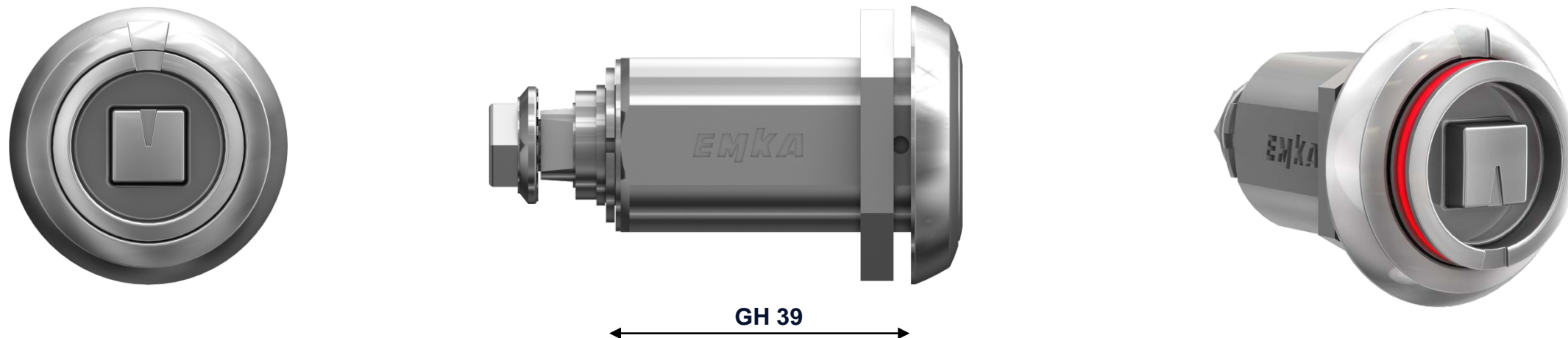
With adjustable
cam height

Stroke 6 mm
Height 70.5 mm
Zinc die



Compression latch with visual open status indication 1000-U846

- Insert leaves the housing when opening and a red ring becomes visible.
- Compression latch for increased security requirement: 6 mm compression stroke
- Compatible with new dust cover
- Insert: square, double bit, railway
- Zinc die; black powder coated, chrome plated



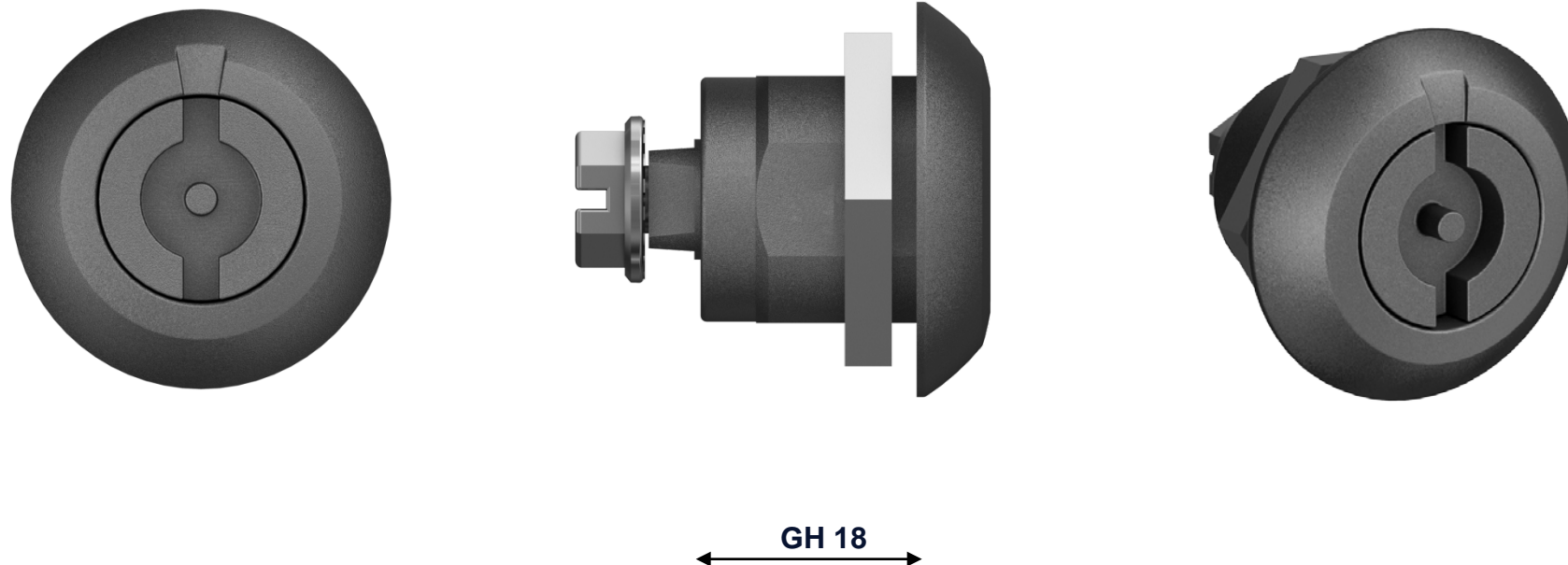
***Dust cap for compression latches with
visual open status indication 1000-97-02***



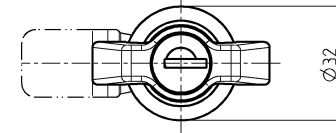
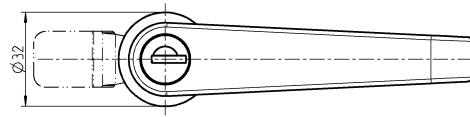
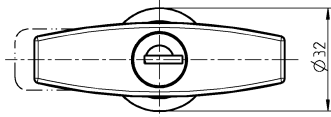
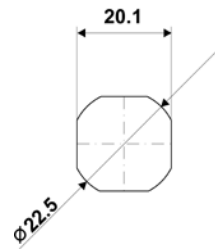
- The dust cap 1000-97-02 will not lock while the compression latch is open.
- Suitable for high speed applications:
tested at 450 km/h, 15min, load from 4 directions
- UV resistant

Compression latch 1000-U852

- Compact design with 18 mm total height
- 100 % interchangeable with standard quarter turns
- 4.5 mm compression stroke



Compression latches



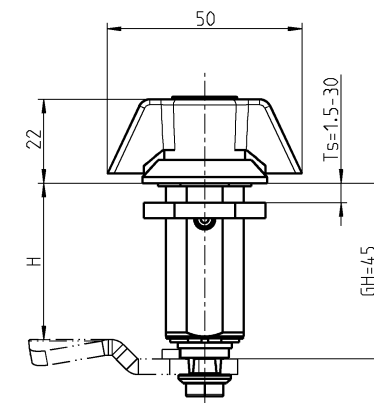
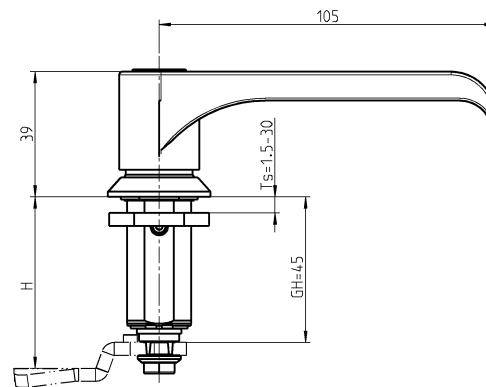
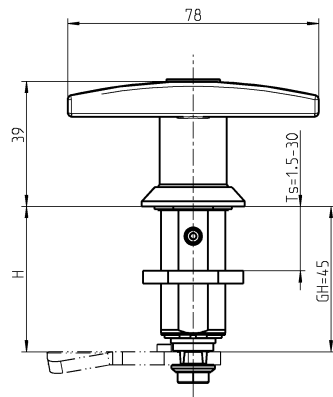
Quarter turn

1000-U820

1000-U823

1000-U826

Stroke 6 mm
Height 45 mm
Zinc die



Quarter turn

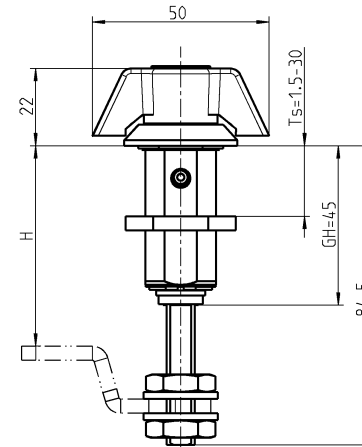
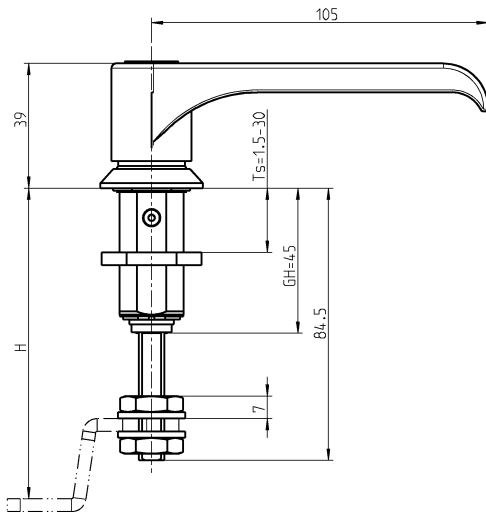
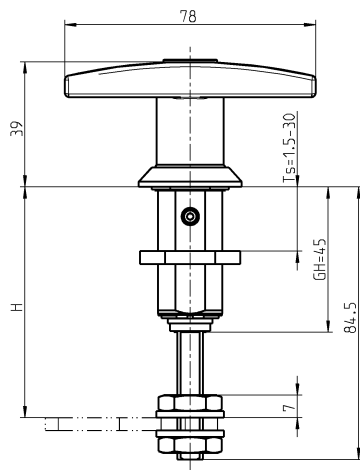
1000-U785

1000-U788

1000-U790

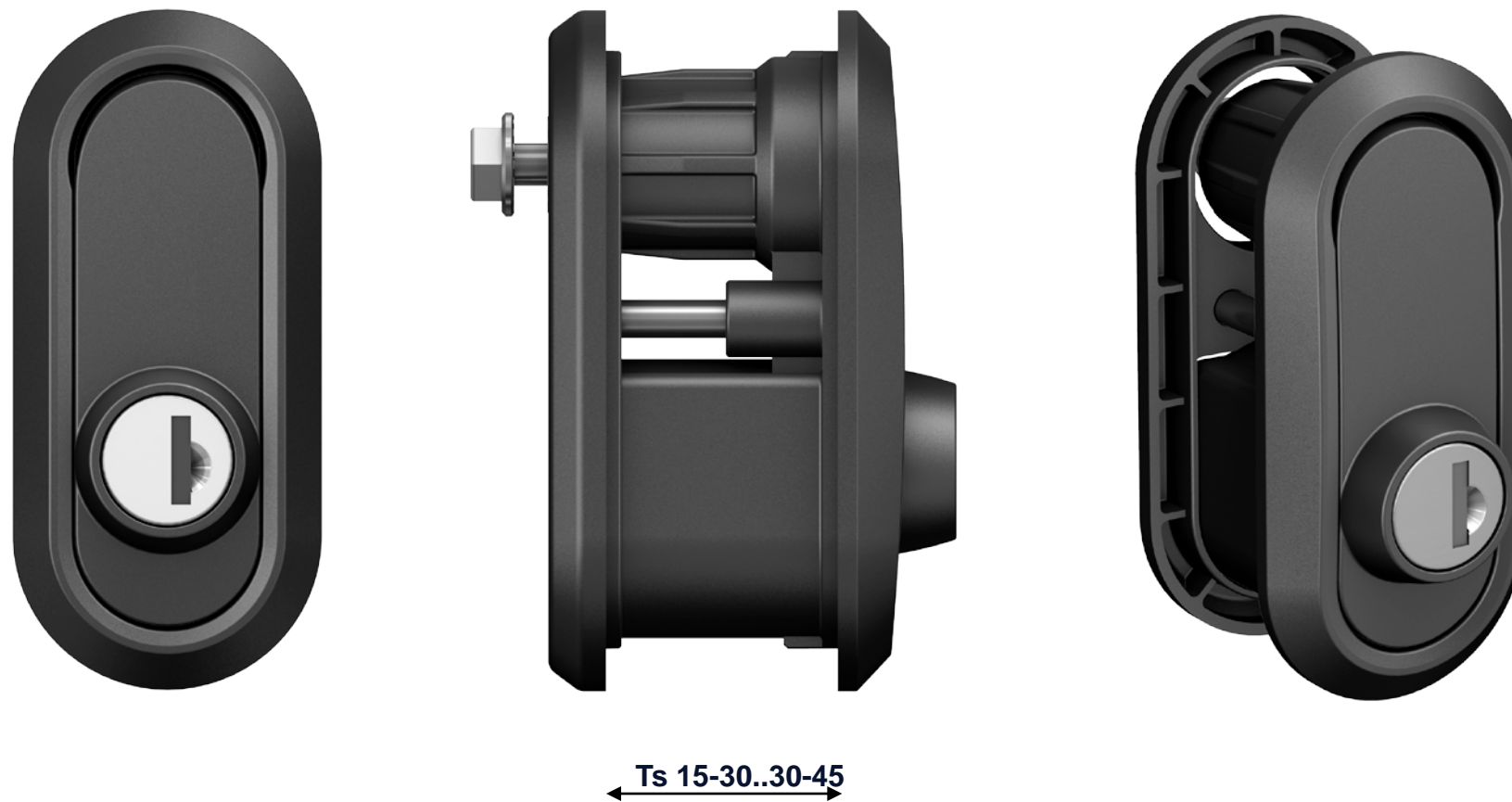
With adjustable
cam height

Stroke 6 mm
Height 70.5 mm
Zinc die

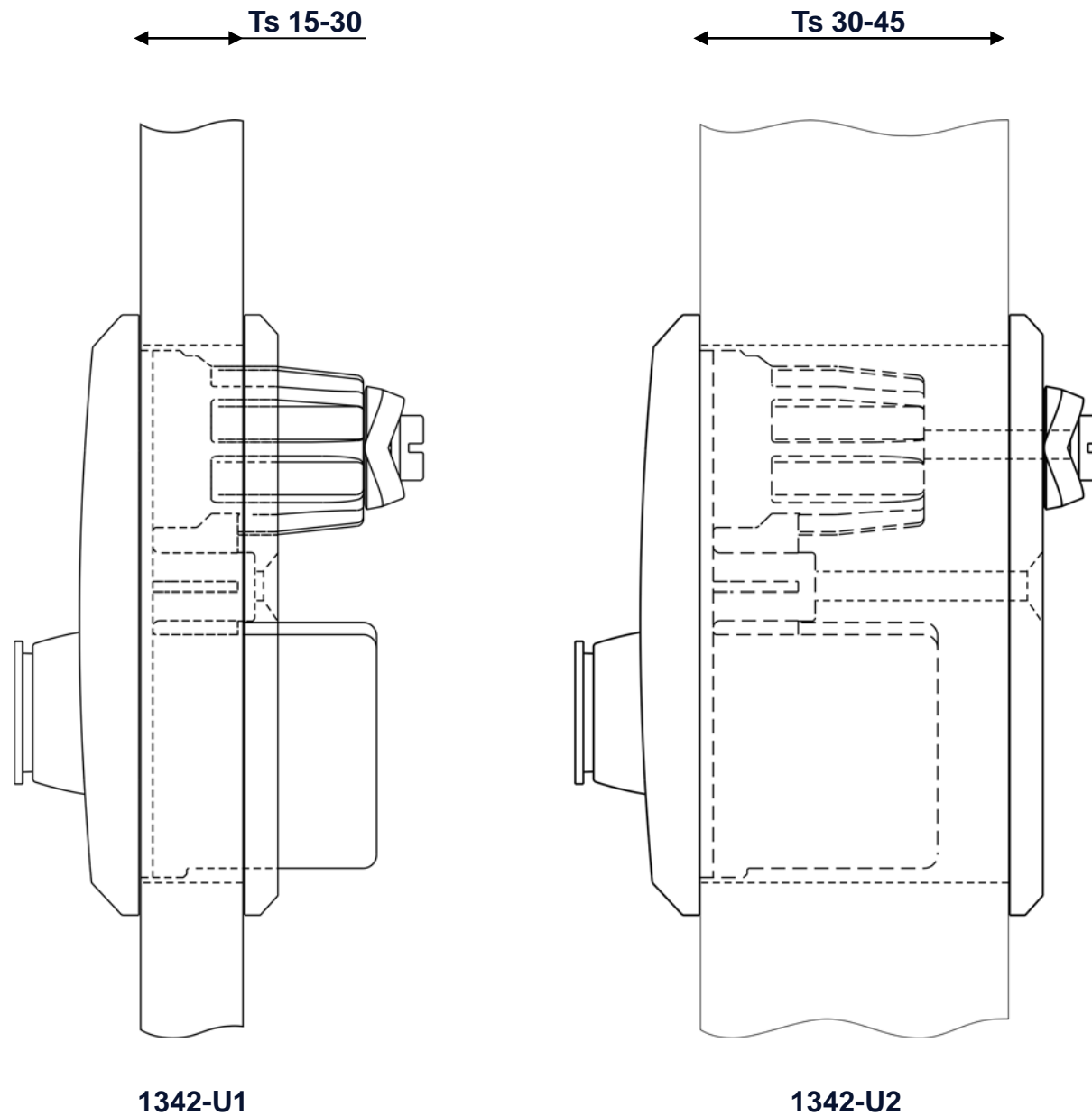


Compression swinghandle 1342-U1-03

- Slim design, offering the advantages of L-handles



Compression swinghandles 1342-U1 and 1342 U2



- For all standard slot cylinders of the caravan industry
- Two versions for door gauges
15-30 mm and 30-45 mm

***Thank you for your
attention***

By: M. Grunert, Technology Center
EMKA Beschlagteile GmbH & Co. KG
Industriestraße 21-23
42327 Wuppertal
Tel.: +49 (0)2051 273 - 333
Fax: +49 (0)2051 273 - 334
E-Mail: M.Grunert@emka.de