



**EMKA**

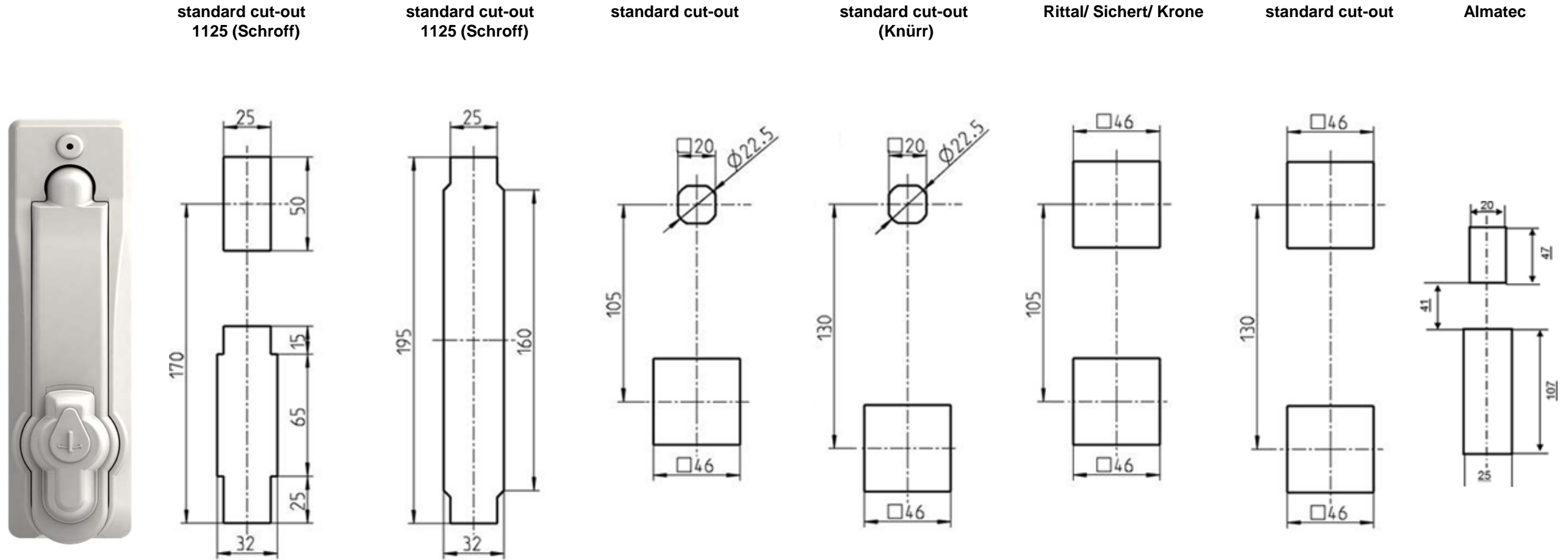
*News 2012*

*Outdoor program*

*July 2012*

# 1154 Outdoor handle RC2 ("WK2") - cut-outs

RC2: resistance class 2  
vandalism protection



Enclosure manufacturer	EMKA art.-no.	Telekom material-no.
Krone, Sichert, Knürr	1154-U7	40248135
Schroff, EMKA	1154-U9	40248136
Rittal	1154-u10	40248137
Almatec	1154-U8	40248138



## Program 1317 - Outdoor swinghandles product line PROTECTOR

Target:

- Aggressively enter the outdoor market on a global basis with a complete product portfolio.

**Program 1317 - Outdoor swinghandles product line PROTECTOR**

Single cylinder  
swinghandles

Material  
zinc-die

Double cylinder  
swinghandles

Double cylinder  
swinghandles

Material  
PA

Single cylinder  
swinghandles



electro-  
mechanical

electro-  
mechanical

mechanical

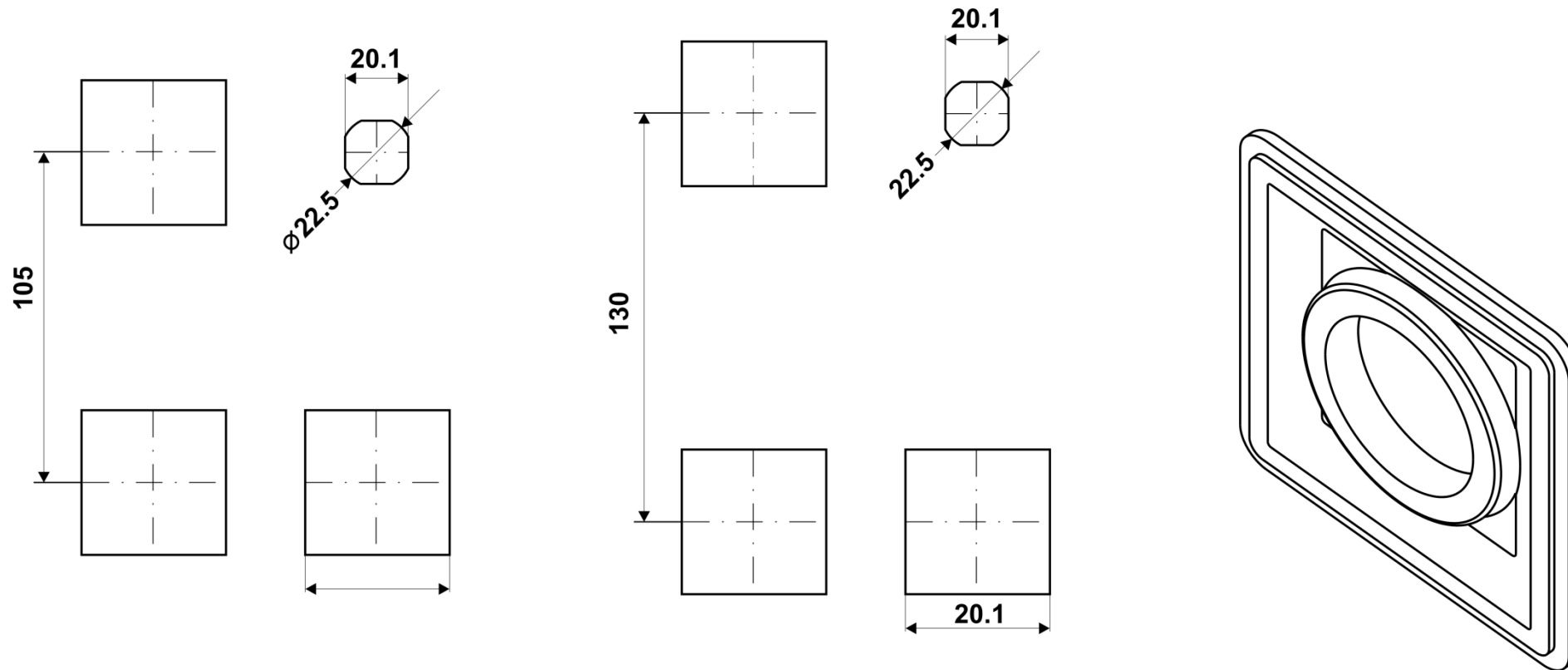
## Program 1317 – Outdoor swinghandles product line PROTECTOR

All new handles meet these standards:

- IP65
- Suitable for profile half cylinders with 40 mm or 45 mm length
- shock-and vibration proof according to DIN EN 61373
- robust sliding or rotary cylinder cover

Program 1317 - Outdoor swinghandles product line **PROTECTOR**

- Suitable for 46 x 46 mm cut-out with adaptor 1107-53-01AA



**Program 1317 - Outdoor swinghandles product line PROTECTOR**



**Single cylinder swinghandle (zinc-die)**

- mechanical version
- 1317-U102-HJ (105)
- 1317-U122-HJ (130)
- "HJ" means "colour grey + anti-graffiti coating"
- RC2 ("WK2") certified acc. to DIN V ENV 163
- robust sliding cylinder cover

## Program 1317 - Outdoor swinghandles product line PROTECTOR



### Single cylinder swinghandle (zinc-die)

- electromechanical version
- 1317-U151-HJ (105) w/o LED
- 1317-U152-HJ (105) with LED
- 1317-U161-HJ (130) w/o LED
- 1317-U162-HJ (130) with LED
  
- "HJ" means "colour grey + anti-graffiti coating"
- RC2 ("WK2") certified acc. to DIN V ENV 163
  
- wide temperature range -30°C to +80°C
- power supply 48 VDC
- push-to-pull feature
- no power consumption in standby-mode



**Program 1317 - Outdoor swinghandles product line PROTECTOR**



**Double cylinder swinghandle (zinc-die)**

- mechanical version
- 1317-U102-HJ (105)
- 1317-U122-HJ (130)
- "HJ" means "colour grey + anti-graffiti coating"
- RC2 ("WK2") certified acc. to DIN V ENV 163
- separate access authorisation
- robust rotary cylinder cover
  
- Optional: key non-removable when open

Program 1317 - Outdoor swinghandles product line PROTECTOR



Double cylinder swinghandle (plastics)

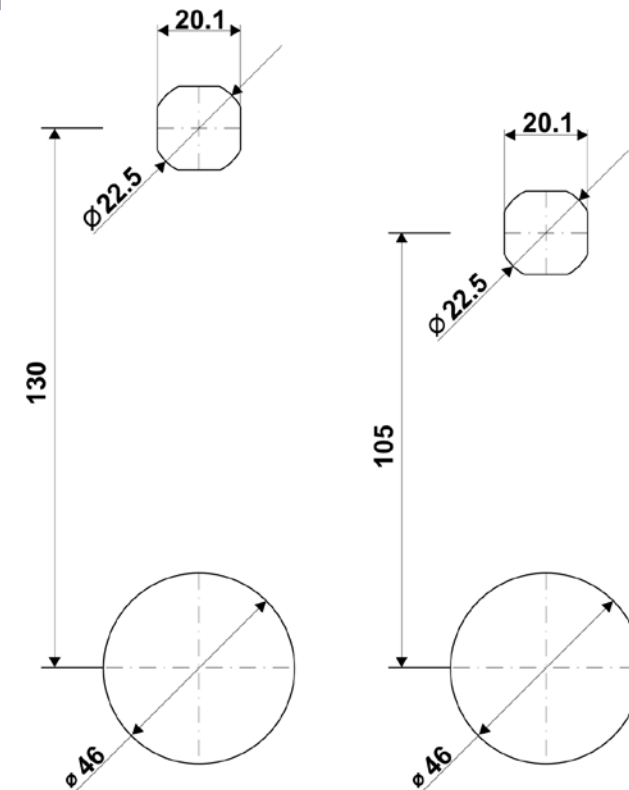
- mechanical version
- 1317-U301 (105)
- 1317-U321 (130)
- cost-efficient version
- rotary cylinder cover
- separate access authorisation
  
- Optional: key non-removable when open

Program 1317 - Outdoor-swinghandles product line PROTECTOR

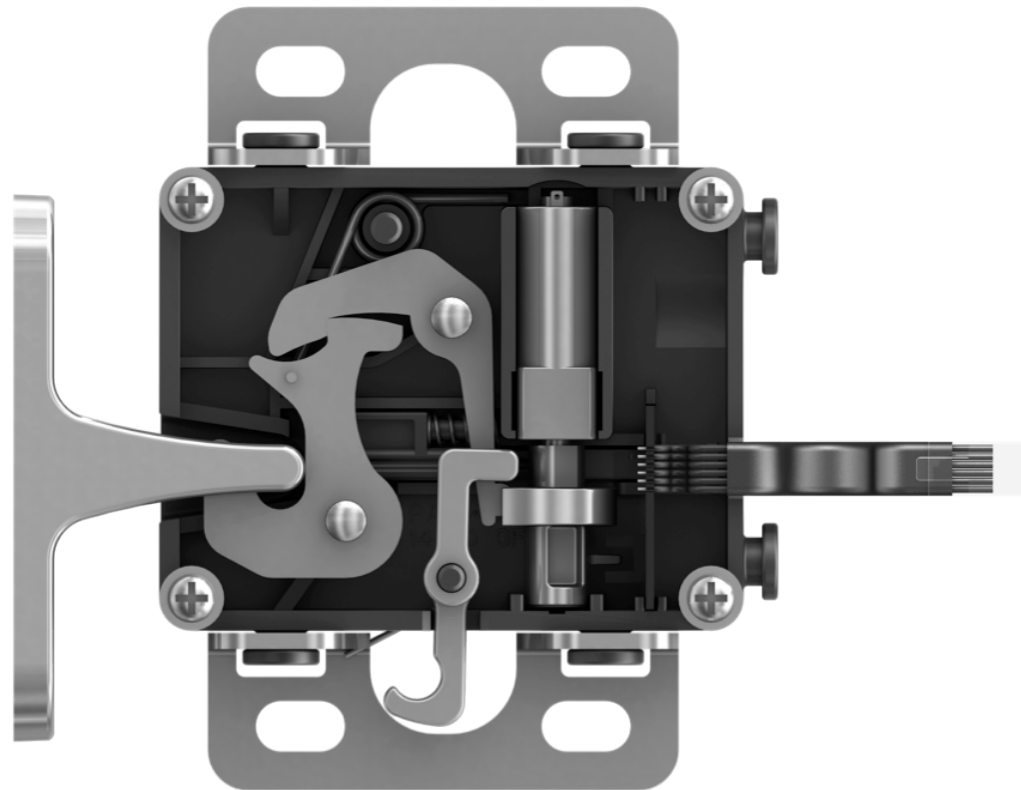


Single cylinder swinghandle (plastics)

- mechanical version
- 1317-U402 (105)
- 1317-U422 (130)
- modular design also for round cylinder
- additional cut-outs (see below)
- Square cap suitable for both cut-ots



## Program 3000 Electromechanical single point latch



- concealed locking system
- high mechanical strength by means of plastic-metal combination
- variable mounting options
- mechanical emergency opening
- opening against gasket pressure
- power supply 8 ... 32 VDC

### version basic

### version basic delayed re-lock

- remains in open status until power

### version energy-store

- automatic opening in case of power failure

---

By: M. Grunert, Technology Center  
EMKA Beschlagteile GmbH & Co. KG  
Industriestraße 21-23  
42327 Wuppertal  
Tel.: +49 (0)2051 273 - 333  
Fax: +49 (0)2051 273 - 334  
E-Mail: [M.Grunert@emka.de](mailto:M.Grunert@emka.de)